

## Qosmio G35-AV660 Detailed Product Specification <sup>1</sup>

Model Name	Description	Part Number	UPC
G35-AV660	Genuine Windows® XP Media Center Edition 2005, Intel® Core™ 2 Duo Processor T7200, 2048MB DDR2 SDRAM, 240GB HDD (2x120GB HDD) (5400RPM), 17" WUXGA Ultimate TruBrite™, HD DVD-ROM and DVD SuperMulti Double Layer, 802.11a/b/g, NVIDIA® GeForce Go 7600 256MB GDDR3 SDRAM VRAM, Bluetooth V. 2.0 + EDR, TV Tuner, Toshiba QosmioPlayer™	PQG32U-00C008	032017682160

### Operating System<sup>2</sup>

- Genuine Windows® XP Media Center Edition 2005
- Windows Vista™ Premium Ready<sup>3</sup>
- TOSHIBA QosmioPlayer<sup>4</sup>
  - Quick access for CD, DVD, and TV watching
  - Pause live TV for 1 to 5 hours (depending on video quality selected)

### Processor and Chipset<sup>5</sup>

#### Intel® Centrino® Duo Mobile Technology featuring:

- Intel® Core™ 2 Duo Processor T7200
  - 2.00GHz, 4MB L2, 667MHz FSB
- Mobile Intel® 945PM Express Chipset
- Integrated Wi-Fi® compliant wireless LAN
  - Intel® PRO/Wireless 3945ABG (802.11a/b/g)

### Memory<sup>6</sup>

- Configured with 2048MB PC5300 DDR2 SDRAM (both memory slots may be occupied)
- 2048MB (Min)/4096MB (Max), with 256MB, 512MB, 1024MB or 2048MB PC5300 DDR2 memory modules.

### Hard Disk Drive<sup>7</sup>

- 240GB using two 120GB Serial-ATA (SATA) hard disk drives; 9.5mm height;
  - Primary + Secondary drive: 120GB + 120GB
  - 5GB (10GB with RAID) is reserved to support QosmioPlayer features
  - RAID 0 (striping) supported by TOSHIBA RAID Software<sup>8</sup>
  - RAID 1 (mirroring) supported by TOSHIBA RAID Software<sup>9</sup>

### Fixed Optical Disk Drive<sup>10</sup>

- HD DVD-ROM<sup>11</sup> and DVD SuperMulti (+/- double layer) drive (in one optical drive), supporting 12 formats
  - Maximum speed and compatibility: HD DVD-ROM (1x), CD-ROM (24x), CD-R (16x), CD-RW (10x), DVD-ROM (8x), DVD-R (4x), DVD-RW (4x), DVD -R (Double Layer (2x)), DVD+R (Double Layer (2.4x)), DVD+RW (4x), DVD-RAM (3x)

### Toshiba TV Tuner<sup>12</sup>

- TOSHIBA TV Tuner (Internal):
  - Region/Standard - US/NTSC Standard Definition (720x480)
  - Parental Control and Closed Caption
  - TV Tuner Enhancements: 3D Y/C separator, Digital noise reduction, 10-bit A/D conversion, Time-based correction

### Display<sup>13</sup>

- 17" diagonal widescreen Ultimate TruBrite™ TFT active-matrix LCD display at 1920x1200 native resolution (WUXGA)
  - Supports 1080p content
  - Maximum Brightness up to 350 Cd/m<sup>2</sup>

- Color Saturation: 72%
- Contrast Ratio: 450:1
- Horizontal Viewing Angle: 140 Degree
- Vertical Viewing Angle: 110 Degree
- QosmioEngine digital video processing system

### Graphics<sup>14</sup>

- PCI-Express™ x16 graphics subsystem, featuring:
  - NVIDIA® GeForce™ Go 7600 with 256MB GDDR3

### Sound

- 1-bit Digital Amplifier
- Built-in harman/kardon® stereo speakers
- Dolby® Digital audio enhancements<sup>15</sup>
- Sound Volume Control Dial
- Built-in microphone

### Input Devices

- Keyboard
  - 85 key US keyboard
  - Hot Key Functions (Fn)
  - Windows Key Function
  - Application Key Function
- Dual Mode Pad pointing device
- TouchPad™ Enable/Disable
- Control Buttons:
  - Internet button to launch default browser
  - QosmioPlayer CD/DVD launch button
  - QosmioPlayer TV launch button
  - CD/DVD control buttons (Skip to Previous/Next Track, Play, Stop)
- Remote Control
  - Toshiba QosmioPlayer and Microsoft Windows Media Center Edition 2005 remote control
  - Internal USB RC-6 IR Blaster receiver

### Communications

- Toshiba V.92 software modem<sup>16</sup>
- Intel® PRO/1000 VE Network Connection - 10/100/1000 Base-TX Ethernet
- Integrated Wireless-LAN:<sup>17</sup>
  - Intel® PRO/Wireless Network Connection 3945ABG (802.11a/b/g)
- Bluetooth® version 2.0 plus Enhanced Data Rate (EDR) with Toshiba Bluetooth driver software
- Consumer Infrared for remote control

### Expandability

- 2 main memory slots. Both slots may be occupied.
- One PCMCIA – Type II/Type I Card Slot
- ExpressCard™ slot supporting ExpressCard/34 and ExpressCard/54
- 5-in-1 Bridge Media Adapter
  - Secure Digital, Memory Stick™, Memory Stick PRO™, Multi Media Card, xD Picture Card [shared slots]
  - Secure Digital slot supports SDIO

## Ports

- Video
  - RGB (monitor) output port
  - S-Video output port
  - HDMI output port
  - Composite input port (shared with stereo input)
    - Via included 3-in-1 cable
  - S-Video input port
- Audio
  - S/P DIF output port (shared with headphone port)
  - Microphone input port
  - Headphone output port
- Data
  - i.LINK(tm) IEEE-1394
  - USB v2.0 – 4 ports
  - RJ-45 LAN port
  - RJ-11 modem port

## Physical Description for this Product Series

- Dimensions (WxDxH Front/H Rear): 16.0" (406.0mm) x 11.6" (295.0mm) x 1.79" (45.5mm)[F]/2.11" (53.5mm)[R] without feet
- Weight: Starting at 10.1 lbs (4.6 kg) depending upon configuration<sup>18</sup>
- Chassis Description
  - Case material: PC ABS
  - LCD Cover Color: Silver
- Physical Security
  - Slot for cable lock;
  - Items protected by a screw: Memory, Main HDD
  - Fingerprint reader
- Software Security
  - Passwords: User power-on password, supervisor password
  - Hotkey locks: Screen Blank

## Power Supply

- 120W (15V x 8A) Auto sensing external AC Adapter, 100-240V / 50-60Hz frequency (Universal) input.
- Dimensions (WxDxH): 2.17" (55.0mm) x 5.71" (145.0mm) x 1.73" (44.0mm)
- Weight: starting at 1.43 lbs (650 g)

## Battery<sup>19</sup>

- 9-cell (7050mAh) rechargeable, removable Lithium Ion (Li-Ion) battery pack
- Dimensions (WxDxH): 5.55" (141.0mm) x 3.86" (98.0mm) x 0.80" (20.4mm)
- Weight: starting at 1.08 lbs (490 g)
- Battery Life (measured by MobileMark™)<sup>20</sup>
  - 9-cell battery: 2 hours, 30 minutes
- Recharge Time
  - Main Battery Off/On – approximately 3.5 hrs or longer

## Software<sup>21</sup>

- Toshiba Software and Utilities
  - TOSHIBA HD DVD Player
  - TOSHIBA ConfigFree®
  - TOSHIBA Custom Utilities
  - Electronic User's Guide
  - Toshiba Bluetooth driver software
- Third-party Software
  - WildTangent Game Console
  - Microsoft Office® OneNote® 2003
  - Microsoft Works® Version 8.5
  - Sun® Java™ 2 Runtime Environment
  - Adobe® Acrobat® Reader
  - InterVideo® WinDVD® 5
  - InterVideo® WinDVD Creator 2 Platinum
  - Sonic Solutions® PrimeTime™

- Sonic Solutions® RecordNow!™ Basic for Toshiba
- Sonic Solutions® Drive Letter Access™ (DLA)
- Microsoft® Windows Media Player version 10
- Yahoo! Music Engine
- Trial Software
  - Microsoft Office Trial Student Teacher Edition (60-day trial)
  - McAfee® Internet Security Suite (30-day trial)
  - McAfee® VirusScan™ (30-day trial)
  - AOL® Internet Service (6-month trial)<sup>22</sup>

## Environmental Specifications

	Operating	Non-operating
Temperature <sup>23</sup>	5° to 35° C (41° to 95° F)	-20° to 65° C (-4° to 149° F)
Thermal Gradient	15° C per hour (max)	20° C per hour (max)
Relative Humidity (non-condensing)	20% to 80%	10% to 90%
Altitude (relative to sea level)	-60 to 3,000 meters	-60 to 10,000 meters
Shock	1.5G	60G
Vibration	0.25G	1.0G

- This product is compatible with European Union Directive 2002/95/EC, Restriction of the use of certain Hazardous Substances in electrical and electronic equipment (RoHS)<sup>24</sup>, restricting use of lead, cadmium, mercury, hexavalent chromium, PBB, and PBDE.

## QOSMIO – 1 YEAR STANDARD LIMITED WARRANTY + ON-SITE REPAIR<sup>25</sup>

### Service Upgrades and Extensions

Toshiba offers many different enhanced services such as SystemGuard®, On-Site Repair, and ServiceExpress to provide additional support to your notebook PC. For a full description and complete list of programs, please visit [www.pcsupport.toshiba.com](http://www.pcsupport.toshiba.com).

## Recommended Services

### Extended Service Plan

Provides an extended service plan for up to 4 total years from the original notebook purchase date. On-site service will be provided at customer's home or business location (excluding weekends and holidays) to perform the necessary hardware repairs.

#### Part Number Description

Part Number	Description
WSN-QEQH2V	2nd Year Extended Service Plan + On-Site Repair
WSN-QEQH3V	2nd/3rd Year Extended Service Plan + On-Site Repair
WSN-QEQH4V	2nd/3rd/4th Year Extended Service Plan + On-Site Repair

### SystemGuard Accidental Damage Service<sup>26</sup>

Provides advanced protection from damage caused from handling. On-site service will be provided at customer's home or business location (excluding weekends and holidays) to perform the necessary hardware repairs. Extended Service Plan included except with 1 Year plan. SystemGuard coverage must be purchased within the first 30 days of notebook purchase.

#### Part Number Description

Part Number	Description
WSN-QEGH2V	1st/2nd Year + Extended Service Plan + On-Site Repair
WSN-QEGH3V	1st/2nd/3rd Year + Extended Service Plan + On-Site Repair
WSN-QEGH4V	1st/2nd/3rd/4th Year + Extended Service Plan + On-Site Repair

## Accessories

### Memory

#### Part Number Description

Part Number	Description
PA3512U-1M1G	Toshiba 1GB DDR2-667 Memory Module, RoHS
PA3513U-1M2G	Toshiba 2GB DDR2-667 Memory Module, RoHS

## Power

Part Number	Description
PA3237U-3ACA	Toshiba 120W Global AC Adapter, RoHS
PA3475U-1BRS	Toshiba Primary Li ION Battery Pack (9 cell), RoHS
PA3091U-2CHG	Toshiba Battery Charger w/Integrated AC Adapter

## Security & Protection

Part Number	Description
PA1370U-1ETC	Toshiba Keyboard Protector
PA410U	Targus DEFCON CL Cable Lock

## Storage

Part Number	Description
PA3109U-3FDD	Toshiba USB Floppy Disk Drive Kit
PA1399U-1MEM	Toshiba 1GB USB High Speed Flash Drive

## Wireless/Bluetooth

Part Number	Description
PA3466U-1ETC	Toshiba Wireless Stereo Headset with Bluetooth Technology
PA1380U-1NMS	Toshiba Wireless Travel Mouse with Bluetooth Technology

## Subject to Change

While Toshiba has made every effort at the time of publication to ensure the accuracy of the information provided herein, product specifications, configurations, prices, system/component/options availability are all subject to change without notice. For the most up-to-date product information about your computer, or to stay current with the various computer software or hardware options, visit Toshiba's Web site at <http://www.pcsupport.toshiba.com>

## Return Policy

Notwithstanding anything to the contrary in any third party License Agreement or product documentation supplied with your PC, Toshiba America Information Systems, Inc. ("TAIS") does not accept the return of component parts, or bundled software, that have been removed from the PC system. Pro-rata refunds on individual PC components or bundled software, including the operating system, will not be granted. If you wish to return a complete PC system, contact the TAIS dealer where you purchased the product, and comply with the dealer's standard return policies and procedures.

Toshiba America Information Systems, Incorporated ("TAIS")  
9740 Irvine Boulevard  
Irvine CA 92618  
ToshibaDirect website: <http://www.toshibadirect.com>  
TAIS website for resellers: <http://sell.toshiba.com>  
TAIS PC Support website: <http://pcsupport.toshiba.com>

Portégé, Satellite, Tecra, SelectBay, ConfigFree and SystemGuard are registered trademarks and Qosmio and EasyGuard are trademarks of Toshiba America Information Systems, Inc. and/or Toshiba Corporation. Intel, Celeron, Centrino, Intel Inside, Pentium, the Intel Centrino logo, and the Intel Inside logo are trademarks or registered trademarks of Intel Corporation or its subsidiaries in the United States and other countries. Microsoft and Windows are registered trademarks and OneNote registered is a trademark of Microsoft Corporation in the United States and/or other countries. Winstone® is a registered trademark and BatteryMark™ is a trademark of Ziff Davis Publishing Holdings Inc. in the U.S. and other countries. MobileMark™ is a trademark of the Business Applications Performance Corporation. Wi-Fi is a registered certification mark of the Wi-Fi Alliance. The Bluetooth word mark and logos are owned by the Bluetooth SIG, Inc. and any use of such marks by Toshiba is under license. NVIDIA and GeForce are registered trademarks or trademarks of NVIDIA Corporation in the United States and/or other countries. All other trademarks are the property of their respective owners.

<sup>1</sup> **Product Series Legal Footnote.** The product specifications and configuration information are designed for a product Series. Your particular model may not have all the features and specifications listed or illustrated. For more detailed information about the features and specifications on your particular model, please visit Toshiba's Web site at [pcsupport.toshiba.com](http://pcsupport.toshiba.com).

**Product Offering Legal Footnote.** Toshiba America Information Systems, Inc. reserves the right to modify or withdraw this offer at anytime without notice.

<sup>2</sup> **Operating System.** Certain Microsoft® software product(s) included with this computer may use technological measures for copy protection. IN SUCH EVENT, YOU WILL NOT BE ABLE TO USE THE PRODUCT IF YOU DO NOT FULLY COMPLY WITH THE PRODUCT ACTIVATION PROCEDURES. Product activation procedures and Microsoft's privacy policy will be detailed during initial launch of the product, or upon certain reinstallations of the software product(s) or reconfigurations of the computer, and may be completed by Internet or telephone (toll charges may apply).

Some software may differ from its retail version (if available), and may not include user manuals or all program functionality.

**Offers.** Offer terms, duration and product availability all subject to change without notice

<sup>3</sup> **Windows® Vista™.** Not all Windows Vista features are available for use on all Windows Vista Capable PCs. All Windows Vista Capable PCs will run the core experiences of Windows Vista, such as innovations in organizing and finding information, security, and reliability. Some features available in premium editions of Windows Vista -- like the new Windows Aero™ user interface -- require advanced or additional hardware. Check [www.windowsvista.com/getready](http://www.windowsvista.com/getready) for details.

<sup>4</sup> **QosmioPlayer:** The QosmioPlayer is not a Windows-based application. When using the QosmioPlayer, the audio/video recording feature will not function.

### <sup>5</sup> **Processor (Central Processing Unit).**

CPU performance in your computer product may vary from specifications under the following conditions:

1. use of certain external peripheral products
2. use of battery power instead of AC power
3. use of certain multimedia, computer generated graphics or video applications
4. use of standard telephone lines or low speed network connections
5. use of complex modeling software, such as high end computer aided design applications

6. use of several applications or functionalities simultaneously
7. use of computer in areas with low air pressure (high altitude >1,000 meters or >3,280 feet above sea level)
8. use of computer at temperatures outside the range of 5°C to 30°C (41°F to 86°F) or >25°C (77°F) at high altitude (all temperature references are approximate and may vary depending on the specific computer model – please visit the Toshiba website at [www.pcsupport.toshiba.com](http://www.pcsupport.toshiba.com) for details).

CPU performance may also vary from specifications due to design configuration.

Under some conditions, your computer product may automatically shut-down. This is a normal protective feature designed to reduce the risk of lost data or damage to the product when used outside recommended conditions. To avoid risk of lost data, always make back-up copies of data by periodically storing it on an external storage medium. Use your computer product only under recommended conditions. Read additional restrictions under “Environmental Conditions” in your product “Detailed Specs.” Contact Toshiba Technical Service and Support for more information.

<sup>6</sup> **Memory (Main System).** Part of the main system memory may be used by the graphics system for graphics performance and therefore reduce the amount of main system memory available for other computing activities. The amount of main system memory allocated to support graphics may vary depending on the graphics system, applications utilized, system memory size and other factors. For PC's configured with 4 GB of system memory, the full system memory space for computing activities will be considerably less and will vary by model and system configuration.

<sup>7</sup> **Hard Disk Drive (HDD) Capacity.**

1 Gigabyte (GB) means  $10^9 = 1,000,000,000$  bytes using powers of 10. The computer operating system, however, reports storage capacity using powers of 2 for the definition of  $1 \text{ GB} = 2^{30} = 1,073,741,824$  bytes, and therefore shows less storage capacity. Available storage capacity will also be less if the product includes one or more pre-installed operating systems, such as Microsoft Operating System and/or pre-installed software applications, or media content. Actual formatted capacity may vary.

<sup>8</sup> **Toshiba RAID:** Toshiba RAID is only supported on Toshiba-certified hard disk drives. Visit Toshiba's website for details.

<sup>9</sup> **Toshiba RAID:** Toshiba RAID is only supported on Toshiba-certified hard disk drives. Visit Toshiba's website for details.

<sup>10</sup> **Optical Drive.** Due to manufacturing and quality variations in third party optical media (e.g., CD or DVD) or optical media players/recorders, in certain cases, your Toshiba optical drive may not record on certain optical media that bear the applicable logo, or playback optical media recorded by other PCs or optical media recorders. Additionally, certain optical media recorded on your optical drive may not playback or operate properly on other PCs or optical media players. These problems are not due to any defect in your Toshiba PC or optical drive. Please refer to your PC's product specification for listing of specific format compatibilities.

Recording or viewing of certain optical media may be limited or prevented in accordance with applicable copy protection standards.

<sup>11</sup> **HD DVD Technology - General.**

Because HD DVD is a new format that makes use of new technologies, certain disc, digital connection and other compatibility and/or performance issues are possible. Advanced interactive and navigation features of the HD DVD Video format including, but not limited to, Picture in Picture (PIP) and network download features are not supported by this product. HD DVD Application Logo (HD DVD-ROM) represents the optical drive's conformity with the DVD Forum's verification criteria for HD DVD physical format, and does not represent compliance with the HD DVD Video specification defined by the DVD Forum.

Advanced Access Content System (AACs) keys are integrated into your PC for copy protection purposes. Occasional renewal of the AACs key is required, and easily done by connecting to the Internet. Toshiba will provide AACs key renewal for your new PC for 5 years from the date of purchase by the original purchaser at no charge, after which key renewal will be available pursuant to the software player provider's then current terms and conditions. For more information on AACs key, visit [www.aacsla.com/home](http://www.aacsla.com/home).

**HD DVD Playback Capabilities.**

Depending on HD DVD content, you may experience “frame dropping” or lower performance. HD DVD viewing on external display requires an HDCP capable HDMI™ or DVI input. External power required for viewing of HD DVD content. Since CPU power is dedicated to support HD DVD playback function, you must close all other applications before launching HD DVD playback. QosmioPlayer does not support HD DVD playback function. QosmioEngine is not operative during playback of HD DVD. Dolby® Digital audio enhancements are available in the Microsoft Windows operating system only. Audio content with a high sampling (>48 kHz) rate will be down sampled when using Dolby Virtualizer with the internal speakers or the analog audio output or digital audio output (HDMI and S/P DIF).

<sup>12</sup> **TV Tuner:** TV tuner will function only in the country where the computer was purchased.

<sup>13</sup> **Display.** Small bright dots may appear on your screen display when you turn on your PC. Your display contains an extremely large number of thin-film transistors (TFT) and is manufactured using high-precision technology. Any small bright dots that may appear on your display are an intrinsic characteristic of the TFT manufacturing technology. Over a period of time, and depending on the usage of the computer, the brightness of the screen will deteriorate. This is also an intrinsic characteristic of the screen technology.

When the computer is operated on battery power, the screen with dim and you may not be able to increase the brightness of the screen while on battery power.

<sup>14</sup> **Graphics (Graphics Processing Unit).**

GPU performance may vary depending on product model, design configuration, applications, power management settings and features utilized. GPU performance is only optimized when operating in AC power mode and may decrease considerably when operating in battery power mode.

<sup>15</sup> **Dolby® Digital Audio Enhancements.** Dolby Digital audio enhancements are available in the Microsoft Windows operating system only.

<sup>16</sup> **Modem Speed.** Due to FCC limitations, speeds of 53 kbps are the maximum permissible transmission rates during download. Actual data transmission speeds will vary depending on line conditions.

<sup>17</sup> **Wireless.** Wireless connectivity and some features may require you to purchase additional software, external hardware or services. Availability of public wireless LAN access points may be limited. The transmission speed over the wireless LAN and the distance over which wireless LAN can reach may vary depending on surrounding electromagnetic environment, obstacles, access point design and configuration, and client design and software/hardware configurations. The actual transmission speed will be lower than the theoretical maximum speed. To use the Atheros SuperAG™ or SuperG™ wireless function, if available, your client and access point must support the corresponding feature. Performance of these functions may vary depending on the format of data transmitted.

<sup>18</sup> **Weight.** Weight may vary depending on product configuration, vendor components, manufacturing variability and options selected.

<sup>19</sup> **Battery Life.** Battery life may vary considerably from specifications depending on product model, configuration, applications, power management settings and features utilized, as well as the natural performance variations produced by the design of individual components. Published battery life numbers are achieved on select models and configurations tested by Toshiba at the time of publication. See "Detailed Specs" for specific battery measurement test. Recharge time varies depending on usage. Battery may not charge while computer is consuming full power. After a period of time, the battery will lose its ability to perform at maximum capacity and will need to be replaced. This is normal for all batteries. To purchase a new battery pack, see the accessories information that shipped with your computer or visit the Toshiba web site at [www.accessories.toshiba.com](http://www.accessories.toshiba.com).

The QosmioPlayer is not a Windows based application. Battery life will be less than when using similar applications in the Windows Operating System. The Express Media Player is not a Windows based application. Battery life will be less than when using similar applications in the Windows Operating System.

<sup>20</sup> **Battery Life - MobileMark™.** Measured by MobileMark. MobileMark is a trademark of the Business Applications Performance Corporation.

<sup>21</sup> **Software.** Some software may differ from its retail version (if available), and may not include user manuals or all program functionality.

Certain Microsoft® software product(s) included with this computer may use technological measures for copy protection. IN SUCH EVENT, YOU WILL NOT BE ABLE TO USE THE PRODUCT IF YOU DO NOT FULLY COMPLY WITH THE PRODUCT ACTIVATION PROCEDURES. Product activation procedures and Microsoft's privacy policy will be detailed during initial launch of the product, or upon certain reinstallations of the software product(s) or reconfigurations of the computer, and may be completed by Internet or telephone (toll charges may apply).

<sup>22</sup> **AOL® Internet Service.** Availability may be limited, especially during peak times. TO AVOID BEING CHARGED A MONTHLY MEMBERSHIP FEE, SIMPLY CANCEL BEFORE THE SIX-MONTH PROMOTIONAL PERIOD ENDS. Premium services carry surcharges and communication surcharges may apply, including AK, even during promotional period. Members may incur telephone charges on their phone bill, depending on their location and calling plan, even during promotional period. Available to new AOL members in the United States, age 18 or older; a major credit card or checking account is required.

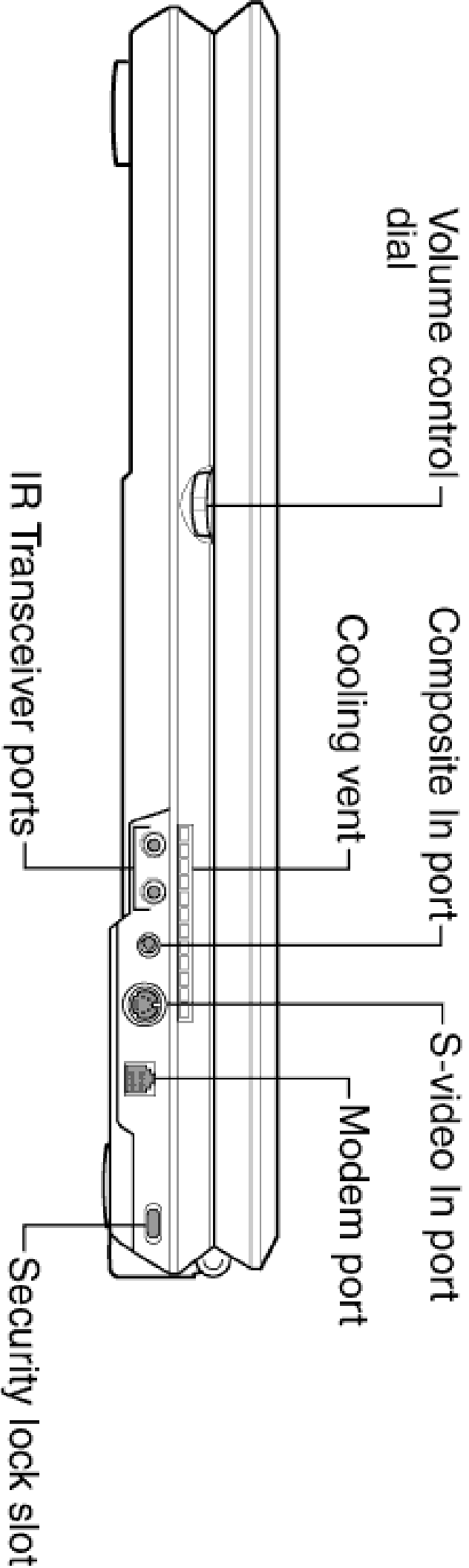
<sup>23</sup> **Temperature (Environmental) Conditions.** All temperature references are approximate and the performance of your computer may vary from specifications even when operating within the recommended temperature range.

<sup>24</sup> **RoHS.** This notebook is compatible with European Union Directive 2002/95/EC, Restriction of the use of certain Hazardous Substances in electrical and electronic equipment (RoHS), which restricts use of lead, cadmium, mercury, hexavalent chromium, PBB, and PBDE. Toshiba requires its notebook component suppliers to meet RoHS requirements and verifies its suppliers' commitment to meeting RoHS requirements by conducting component sampling inspections during the product design approval process.

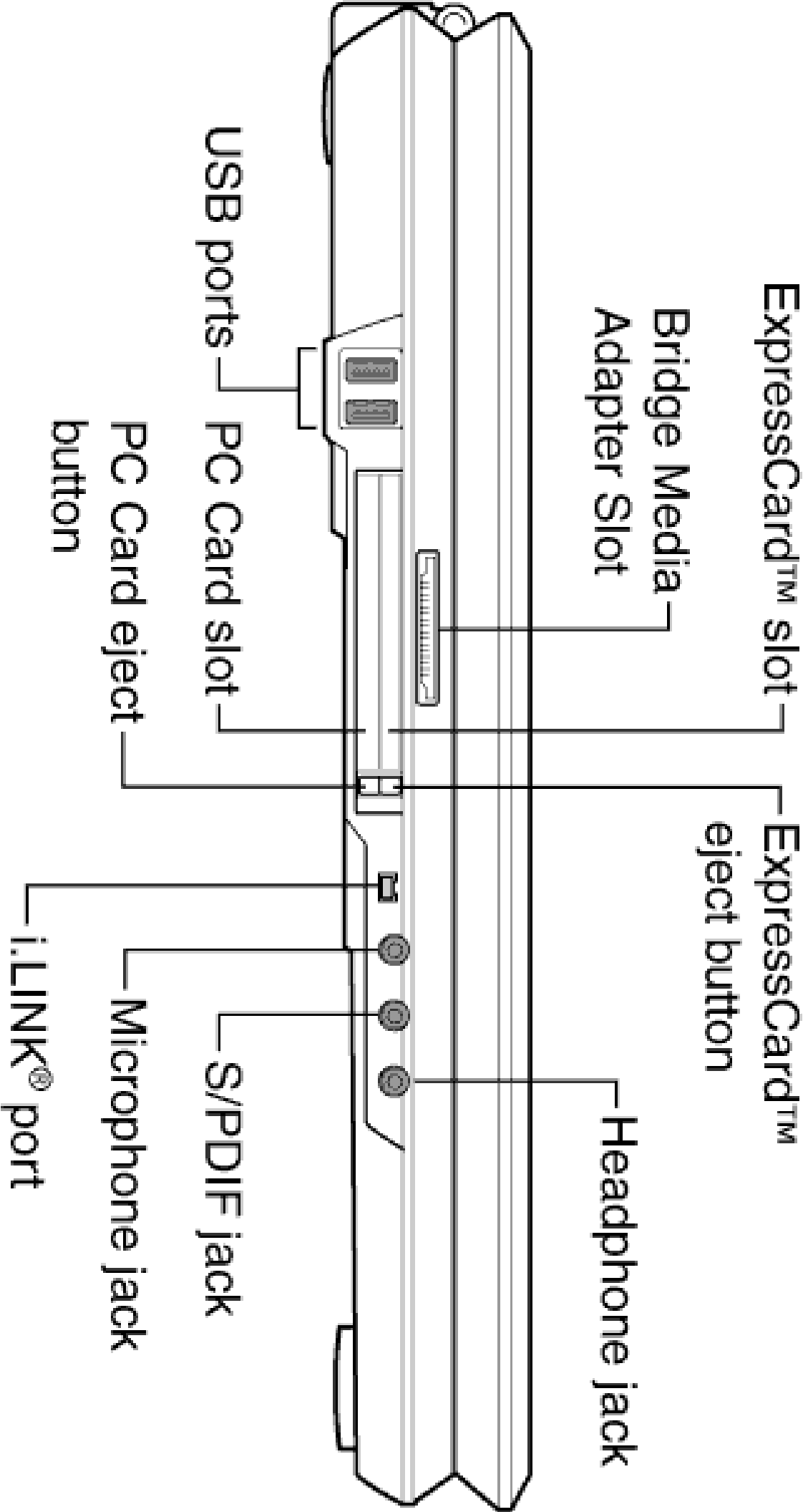
<sup>25</sup> **Warranty.** The terms and conditions of Toshiba's standard limited warranty are available at [www.warranty.toshiba.com](http://www.warranty.toshiba.com).

<sup>26</sup> **Service Plans.** The terms and conditions of service upgrade and extension plans offered by Toshiba are available at [www.pcsupport.toshiba.com](http://www.pcsupport.toshiba.com).

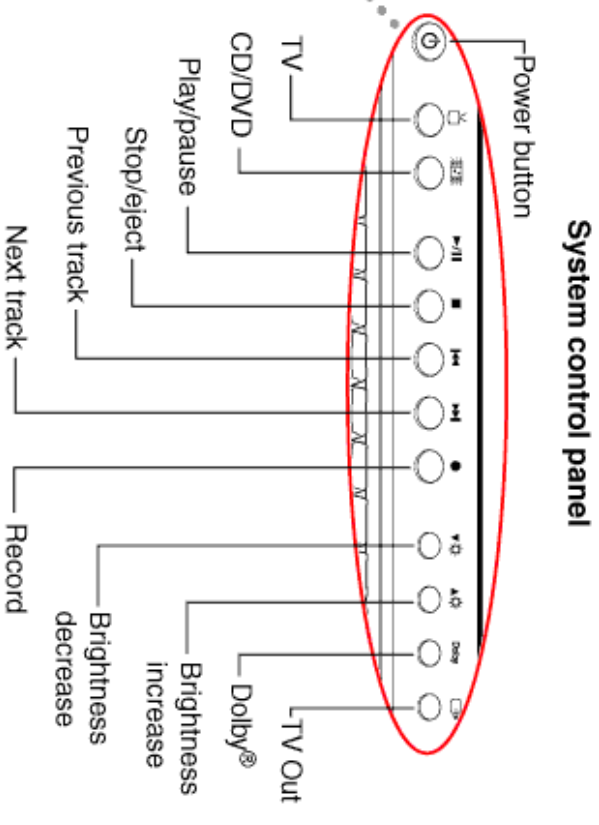
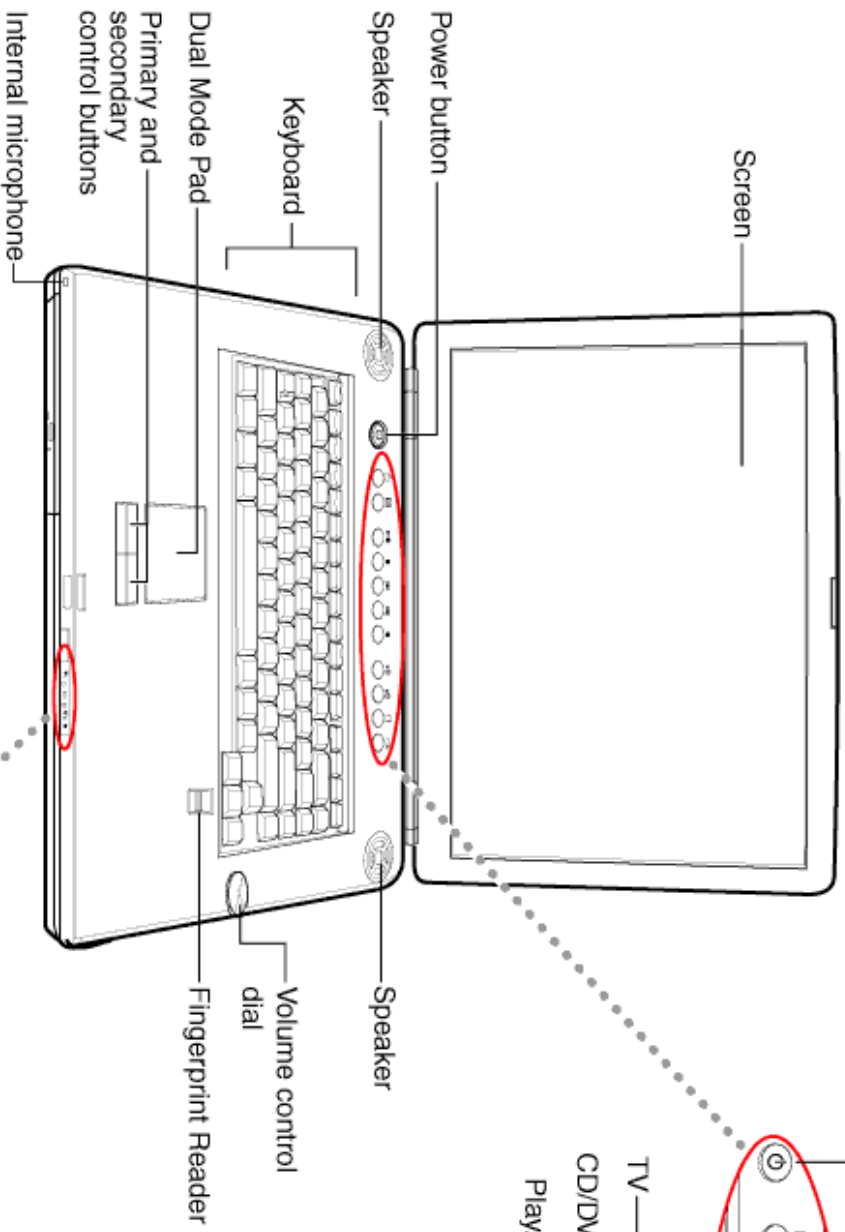
# Right side



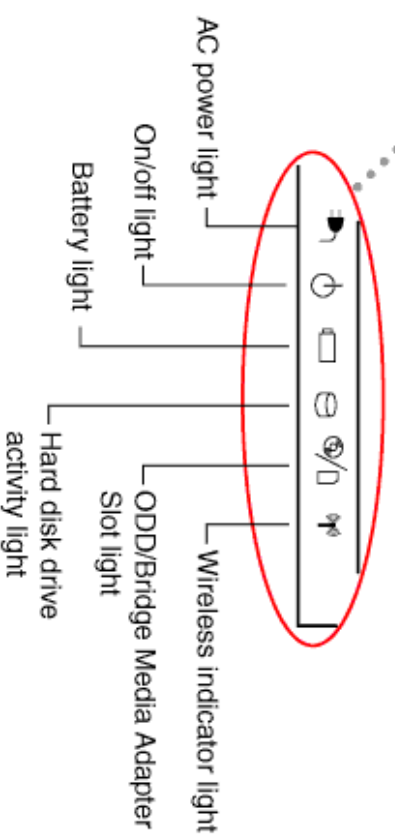
# Left side



# Front with display open

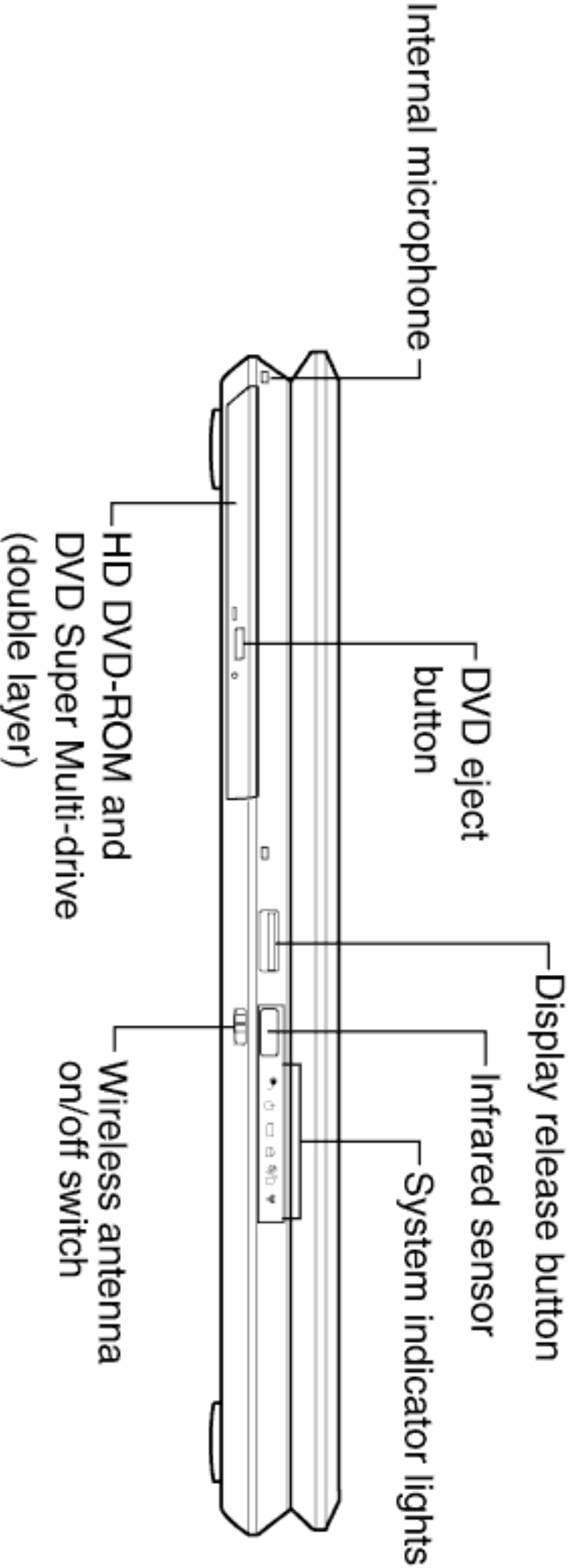


## System indicator lights

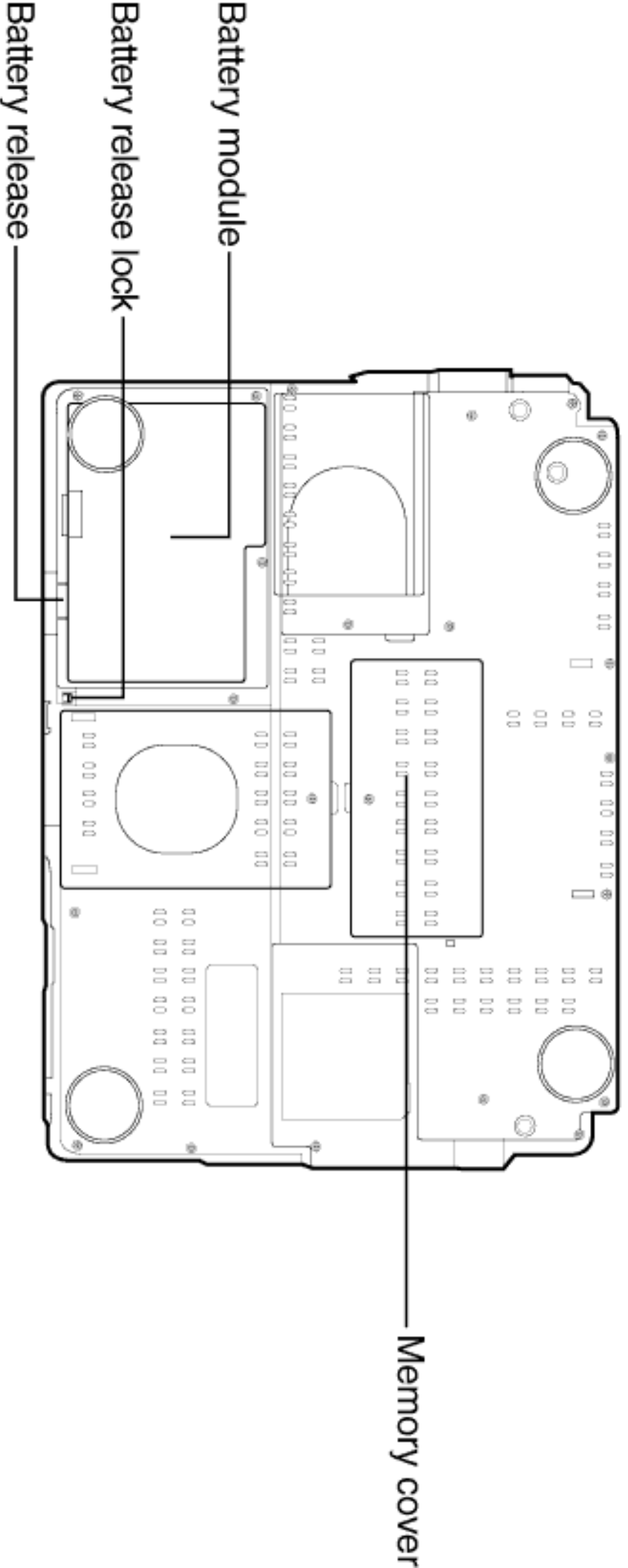




# Front



# Underside



# Back

